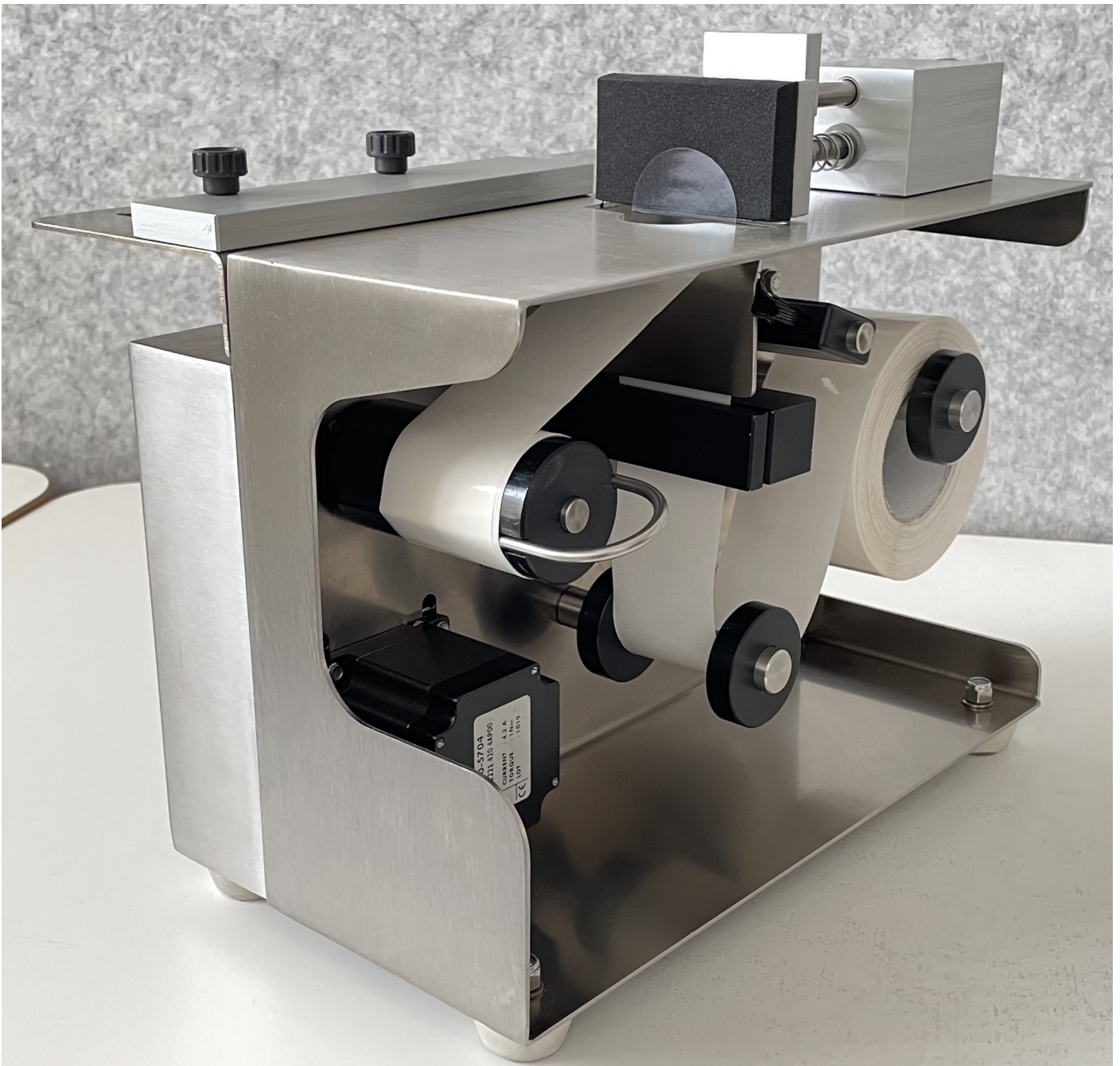


## SEMI-AUTOMATIC SEAL APPLICATOR (TAMPER EVIDENT SEAL)

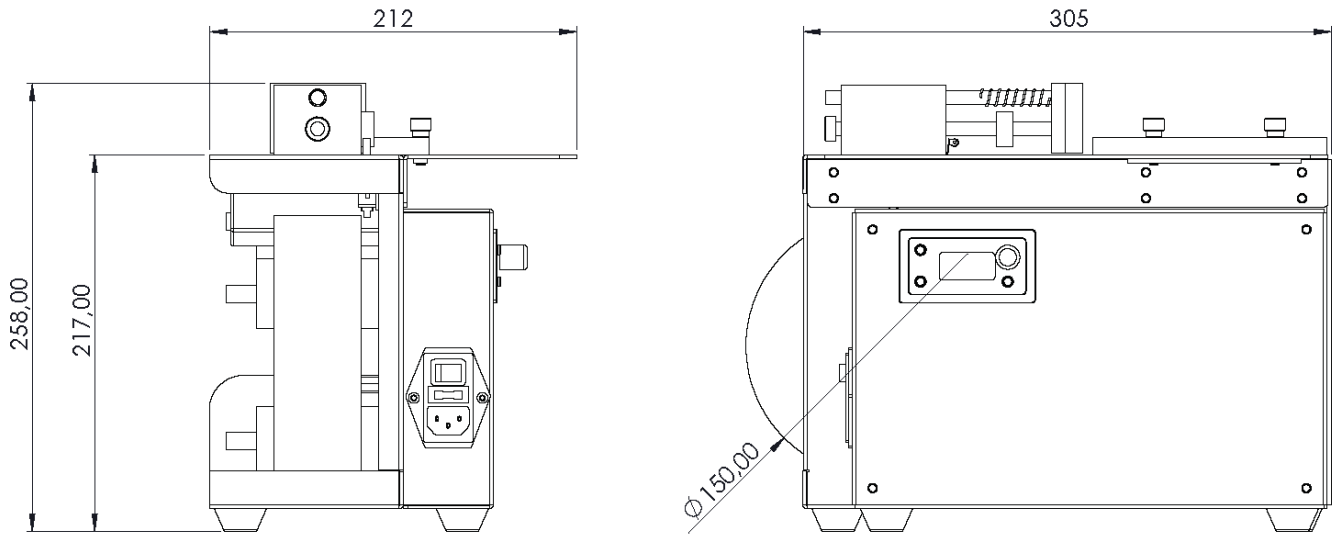
### Pk-TAMP

#### DESCRIPTION

Pk-TAMP is a semi-automatic applicator of seal and security labels defined as Tamper Evident Seal. Pk-TAMP can apply round transparent or non-transparent self-adhesive labels with a diameter between 30 and 50mm. Apply typically round labels to the edges of cans to seal and guarantee the safety and integrity of the products. Non-removable anti-burglary labels can also be used. Compact and solid, it is built entirely in AISI304 stainless steel to be able to be used even in particular environments. Adjustable label position to optimize the application point. Very simple to use and very effective.



## TECHNICLE CHARACTERISTICS



DESCRIPTION	Pk-TAMP
Labels dimension	30; 40; 50 mm diameter
Label roll diameter	Int 41-70mm Ext 120mm
Label wrapping	In/Out
Side positioner	Yes with fixing knobs. Removable for large formats.
Transparent labels with black line	Yes.
Transparent labels	Yes, optional. With ultrasonic sensor.
Command panel	Yes, with speed adjustment
Applications speed	40 pz/min.
Motor	Stepper.
Driver	Stepper.
Application	Seal/security labels for boxes of various sizes
Power supply	220/110 Vac 50 W
Weight	7 Kg
Dimension WxDxH	212x305x258 mm

**Packin**